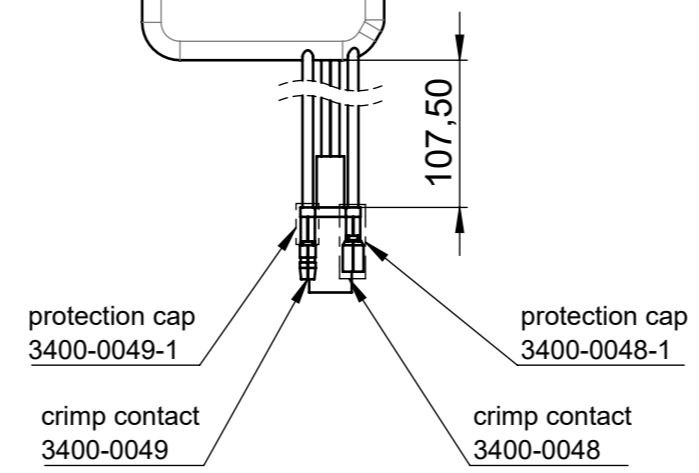
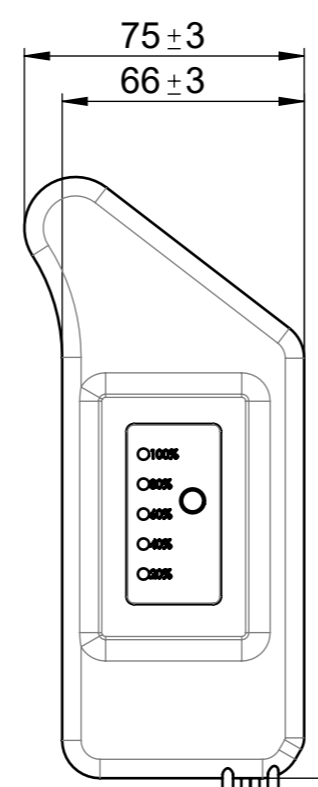
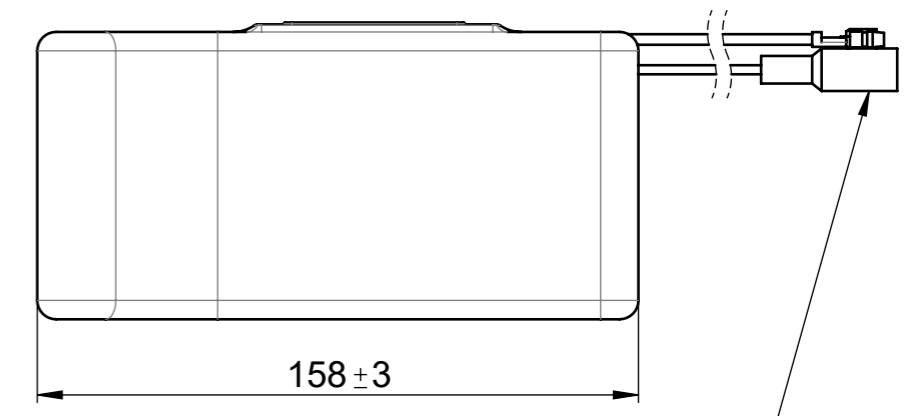
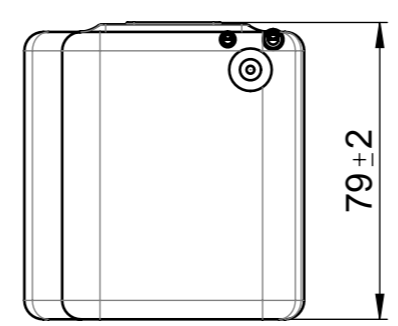


The supplier acknowledges that, with the acceptance of the drawing, he is in a position to manufacture the illustrated part in accordance with the drawing in reproducible form and series production. Through the selected manufacturing processes no impairments will arise in the material and structure which could subsequently lead to an impairment of the component. Verbal agreements over and above that are not valid. Deviations from this rule must be written and must be signed by the purchaser.

Technische Daten/ Technical data	: Akkupack/ battery pack
Chemie/ chemistry	: Li-Ion
Zellentyp/ cell type	: LG MG1
Zellenzahl/ no. of cells	: 20 Zellen/cells 18650 10S2P
Kapazität/ capacity	: nom. 5700 mAh discharge at 0.2C Min. 5500 mAh discharge at 0.2C ta: 20°C; EV (Discharge End Voltage): 2.75V per cell
Nominalspannung/ nominal voltage	: 36V
Standard Ladespannung/ standard charge current	: 42V ± 1%
Maximaler Dauerladestrom/ maximum charge current	: 5,7A
Anwendungsbereich/ ambient temperature range	: 0°C...+45°C charge -20°C...+60°C discharge -20°C...+30°C storage max 6 month
Standards	: UN 3480, Subsection 38.3 All cells and battery packs typtested according to UN manual of test and criteria subsection 38.3
Abschaltspannung/ over charge voltage detection	: 4.25V ± 25mV
Wiedereinschaltspannung/ over charge release voltage	: 4.15 ± 50mV
Balancing Strom/ Balancing current	: max. 42mA
Temperaturüberwachung/ Temperature detection	: 3x NTC; einstellbar
Entladeabschaltspannung/ over discharge detection voltage	: 2,8 ± 25mV
Wiedereinschaltspannung/ over discharge release voltage	: 3,2V ± 25mV
Entladestrom/ discharge current	: 20A peak; 8A Dauer
Entlade Abschaltstrom/ discharge cut off current	: 1st Level 21A; 2nd Level 25A ± 10%
Schutzart/ case protection	: IP 64
Kurzschlusschutz/ short circuit protection	: gegen äußeren Kurzschluss against external short circuit
Rückstellkriterium/ release condition	: Last trennen, Aktiv nach Anladen/ cut load, release after charging up
Communication	: SM Bus



* see Ansmann mechanical design guideline 22_DO_517 general tolerances for electrical wires/cables

Application range for inquiry				Allowable deviation general tolerances		Tolerance principle: ISO 8015		Model:		Material:	
				*				Scale (DIN A3): 1:2		All dimensions in mm	
				Date		Name		Drawing name: Li-Ion-36V-6Ah-10S2P_MG1-softpack			
				Drawn by		22.06.18		SP		Drawing related 3D Datas:	
				Approved by				a_Soft pack			
								Part number		Sheet	
								2467-0039-01		1/1	
Version		Change		Date		Name		Project: IS-01602		Replaced by:	
V0		---								Replacement through:	

