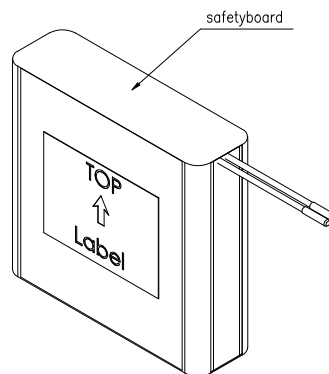
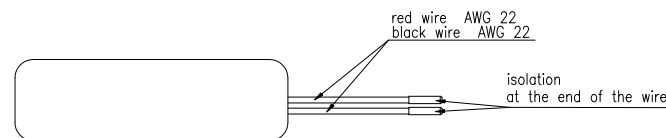
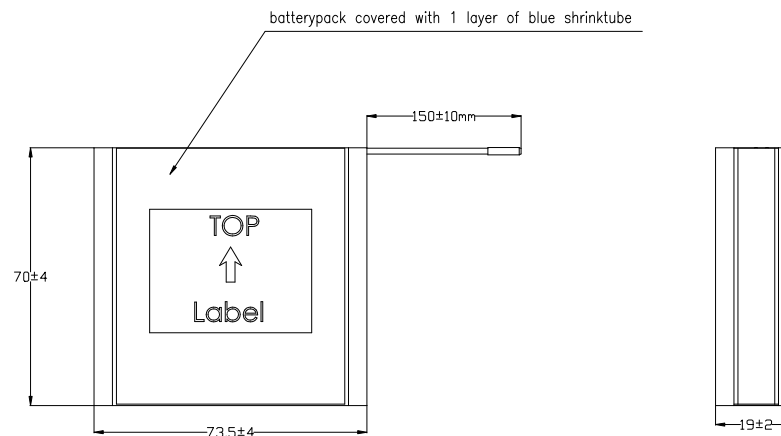


The supplier acknowledges that, with the acceptance of the drawing, he is obliged to manufacture the illustrated part in accordance with the drawing. He is not responsible for any deviations from the drawing. The manufacturer is not responsible for any deviations from the drawing. The manufacturer is not responsible for any deviations from the drawing.

This drawing may not be used, reproduced or made available to third parties in any way without written or prior written approval.

- Technische Daten/
technical data : Akkupack/
Battery pack
- Chemie/
chemistry : Lithium Ion
- Zellentyp/
Cell type : INR18650 M26 LG
- Zellenzahl/
no. of cells : 4 Zellen/ cells ; 2S2P
- Kapazität/
capacity : nom. 5200mAh discharge at 0.2C
min. 5000mAh discharge at 0.2C
ta:20°C; EV(Discharge End Voltage): 5.5V
- Innenwiderstand/
impedance : < 120mOhm (battery and safetyboard)
- Nominalspannung/
nominal voltage : 7.2V
- Standard Ladespannung/
standard charge voltage : 8.4V±1%
- Nominaler Ladestrom/
nominal charge current : 0.5C
- Maximaler Ladestrom/
max. charge current : 5000mA (limited by safetyboard)
- Ladeendstrom/
charge end current : 0.01C recommended
- Maximaler Entladestrom/
maximum discharge current : 5000mA (limited by safetyboard)
- Anwendungstemperaturbereich/
ambient temperature range : 0°C...+45°C charge
-20°C...+60°C discharge
-20°C...+30°C storage max. 1 year
- Standards/ : UN 3480, Subsection 38.3
All cells and battery packs type tested according to UN manual of test and criteria subsection 38.3
- Technische Daten/
technical data : Sicherheitschaltung/
safety board
- Abschaltspannung/
over charge voltage detection : 8.6V±50mV
- Wiedereinschaltspannung/
over charge release voltage : 8.2V±100mV
- Entladeabschaltspannung/
over discharge detection voltage : 4.8V±100mV
- Wiedereinschaltspannung/
over discharge release voltage : 6V±100mV
- Nominaler Entladestrom/ : 5A continuous
- Entlade Abschaltstrom/
discharge cut off current : 13A± 3A
- Kurzschlusschutz/
short circuit protection : gegen äußeren Kurzschluss/
against external short circuit
- Rückstellkriterium/
release condition : Last trennen, Aktiv nach Anladen/
cut load, release after charging up
- Standards : CE



Part Number	SAP Description
2447-3043-02	Li-Ion-7.2V-5200mAh-2S2P-M26
2447-3043-202	Li-Ion-7.2V-5200mAh-2S2P-M26/UK

Verwendungsbereich/Application range für Anfrage/for inquiry AN-IS-2012-00431		Zul. Abweichung/ Allowable deviation	Oberfläche/ Surface	Maßstab/Scale (DIN A2): 1:1	Gewicht/Weight
		Allgemeintoleranz DIN ISO 2768-m		Werkstoff/Work material, Modell-Nr.	
		2019	Datum/Date	Zeichnungsname/Drawing name	
		Zeichner/ Drawn by	25.01.	MST	Li-Ion Battery 7.2V 5200mAh
					with safetyboard
V1	part number overview added	15.04.19	DS	Zeichnungsnummer/Drawing number	
V0	----	XX.XX.XX	XX	Artikelnummer/Part number	
					2447-3043-XXX
Version		Änderung/Change		Datum/Date	Name
		Ursprung/Origin Proj. IS-2013-00431		Ersatz für/Replaced by	Ersatz durch/Replacement through

