

The supplier acknowledges that, with the acceptance of the drawing, he is in a position to manufacture the described part in accordance with the drawing's requirements. The supplier is not responsible for any errors or omissions in the drawing. The manufacturer is not responsible for any errors or omissions in the drawing. The manufacturer is not responsible for any errors or omissions in the drawing. The manufacturer is not responsible for any errors or omissions in the drawing.

- Technische Daten/
technical data : Akkupack/
battery pack
- Chemie/
chemistry : Lithium Ion
- Zellenzahl/
no. of cells : 3 Zellen/ cells ; 1S3P
- Zellentyp/
cell type : INR18650 LGC MJI
- Kapazität/
capacity : nom. 10500mAh discharge at 0.2C
min. 10050mAh discharge at 0.2C
ta20°C; EV(Discharge End Voltage): 2.5V per cell
- Innenwiderstand/
impedance : < 100mOhm (battery and safetyboard)
- Nominalspannung/
nominal voltage : 3.635V
- Standard Ladespannung/
standard charge voltage : 4.2V±1%
- Standard Entladespannung/
standard discharge voltage : 2.5V
- Nominaler Ladestrom/
nominal charge current : 3000mA (limited by safetyboard)
- Maximaler Ladestrom/
maximum charge current : 3000mA (limited by safetyboard)
- Ladeendstrom/
charge end current : 0.01C recommended
- Maximaler Entladestrom/
maximum discharge current : 3000mA (limited by safetyboard)
- Anwendungstemperaturbereich/
ambient temperature range : 0°C...+45°C charge
-20°C...+60°C discharge
-20°C...+30°C storage max. 1 year
-20°C...+45°C storage max. 3months
- Selbstentladung/
self discharge : ≤ 5% / month at 20°C
≤ 10% / month at 30°C
≤ 20% / month at 40°C
- Standards/ : UN 3490, Subsection 38.3
All cells and battery packs type tested according
to UN manual of test and criteria subsection 38.3

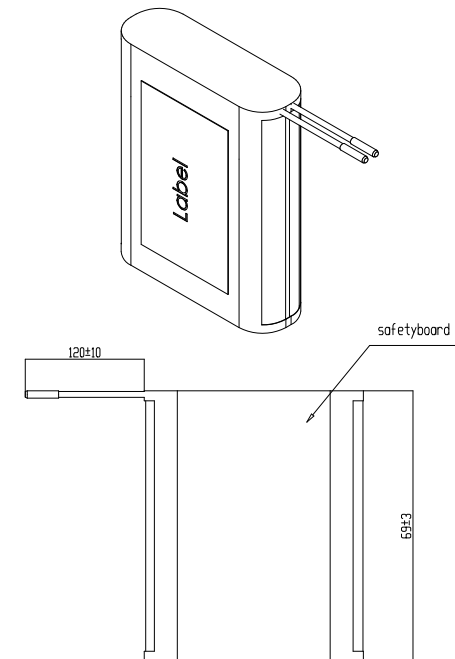
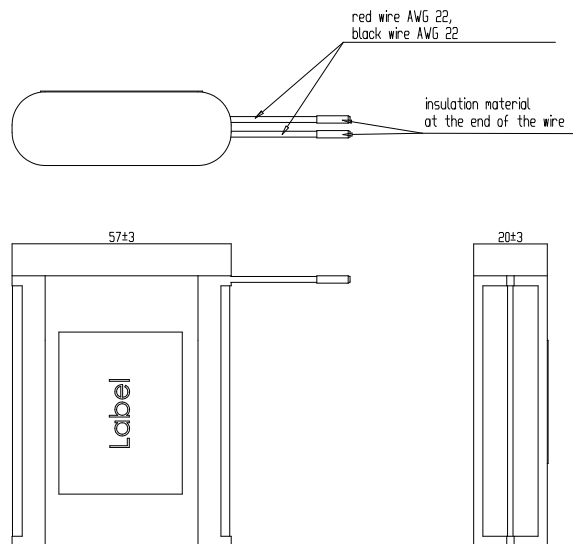
- Technische Daten/
technical data : Sicherheitsschaltung/
safety board (0180-3202)
- Überladeschutzspannung/
over charge voltage detection : 4.325V±0.05V per cell
- Wiedereinschaltspannung/
over charge release voltage : 4.075V±0.1V per cell
- Entladeabschaltspannung/
over discharge detection voltage : 2.5V±0.1V per cell
- Wiedereinschaltspannung/
over discharge release voltage : 2.9V±0.1V per cell
- Nominaler Lade/Entladestrom/
nominal operating current : 3A
- Entlade Abschaltstrom/
discharge cut off current : 8.5A± 2A
- Kurzschlusschutz/
short circuit protection : gegen äußeren Kurzschluss/
against external short circuit
- Temperaturerlöser/
temperature switch : PTC : JK-P450 20V/4.5A at 25°C; 3.9A at 40°C
- MOSFET : in Masse
in Gnd

Rückstellkriterium/
release condition : Last trennen, Aktiv nach Anladen/
cut load, release after charging up

Leiterplattenmaterial/
pcb material : FR4

Nettogewicht/
net weight : 148.4g

Standards : CE



battery pack covered with 2 layers of blue shrinktube

Part Number	SAP Description
2447-3034-20	Li-Ion-3.63V-10500mAh-1S3P-PTC/LG
2447-3034-220	Li-Ion-3.63V-10500mAh-1S3P-PTC/UK

Application range for inquiry				Allowable deviation general tolerances	Tolerance principle:	Model:	Material:	
				DIN ISO 2768-m	ISO 8015	Scale (DN A2): 1:1	All dimensions in mm	Weight:
				2016	Date	Name	Drawing name	
				Drawn by	07.11.	JX	Li-Ion-3.63V-10500mAh.1S3P-PTC/LG with safetyboard	
				Approved by			Drawing number	
V4	part number overview added	15.04.19	DS			Part number		Sheet
V3	dimensions changed	13.04.18	DS			2447-3034-XXX		1/1
V2	cable length changed	16.01.18	DS					
V1	change request DE-17-0071	14.11.17	DS					
V0	created this D/S	07.11.16	JX					
Version	Change	Date	Name	Project: IS-206-0003		Replaced by:		Replacement through:

