

Technische Daten/
technical data : Akkupack/
battery pack

Chemie/
chemistry : Lithium Ion

Zellenzahl/
no. of cells : 4 Zellen/ cells INR18650 M29 LG ; 4S1P

Kapazität/
capacity : nom. 2850mAh discharge at 0.2C
min. 2750mAh discharge at 0.2C

ta:20°C; EV(Discharge End Voltage): 2.75V per cell

Innenwiderstand/
impedance : < 320mOhm (battery and safetyboard)

Nominalspannung/
nominal voltage : 14.68V

Standard Ladespannung/
standard charge voltage : 16.8V±1%

Standard Entladespannung/
standard discharge voltage : 11V

Nominale Ladestrom/
nominal charge current : 0.5C

Maximaler Ladestrom/
maximum charge current : 1C

Ladeendstrom/
charge end current : 0.01C recommended

Maximaler Entladestrom/
maximum discharge current : 4000mA (limited by safetyboard)

Anwendungstemperaturbereich/
ambient temperature range : 0°C...+45°C charge
-20°C...+60°C discharge
-20°C...+20°C storage max. 1 year
-20°C...+45°C storage max. 3months

Selbstentladung/
self discharge : ≤ 5% / month at20°C
≤ 10% / month at30°C
≤ 20% / month at40°C

Standards/ : UN 3480, Subsection 38.3
All cells and battery packs type tested according to UN manual of test and criteria subsection 38.3

Technische Daten/
technical data : Sicherheitsschaltung/
safety board

Überladeschutzspannung/
over charge voltage detection : 4.325V±75mV per cell

Wiedereinschaltspannung/
over charge release voltage : 4.15V±50mV per cell

Entladeabschaltspannung/
over discharge detection voltage : 2.4V±80mV per cell

Wiedereinschaltspannung/
over discharge release voltage : 3V±100mV per cell

Nominale Lade/Entladestrom/
nominal operating current : 4A

Entlade Abschaltstrom/
discharge cut off current : 15A± 5A

Kurzschlusschutz/
short circuit protection : gegen äußeren Kurzschluss/
against external short circuit

Temperaturerhalter/
temperature switch : PTC :JK-P600 20V/6A at 25°C ; 5.2A at 40°C

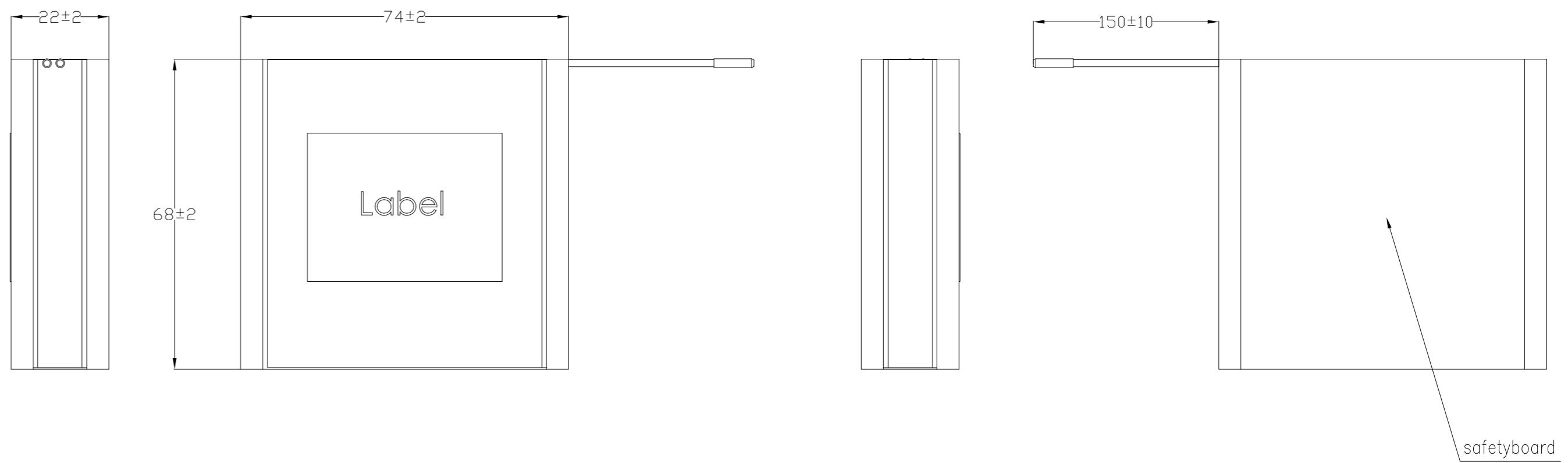
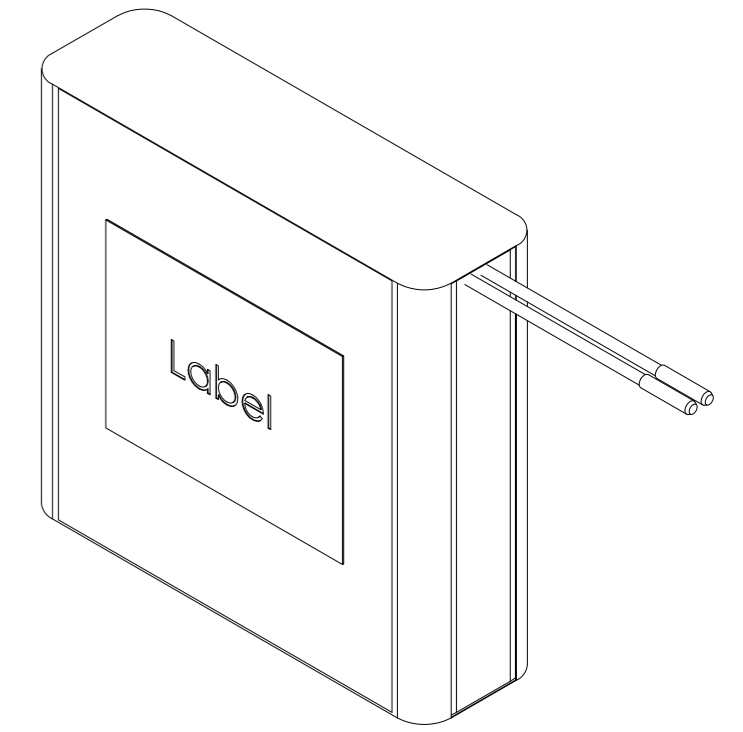
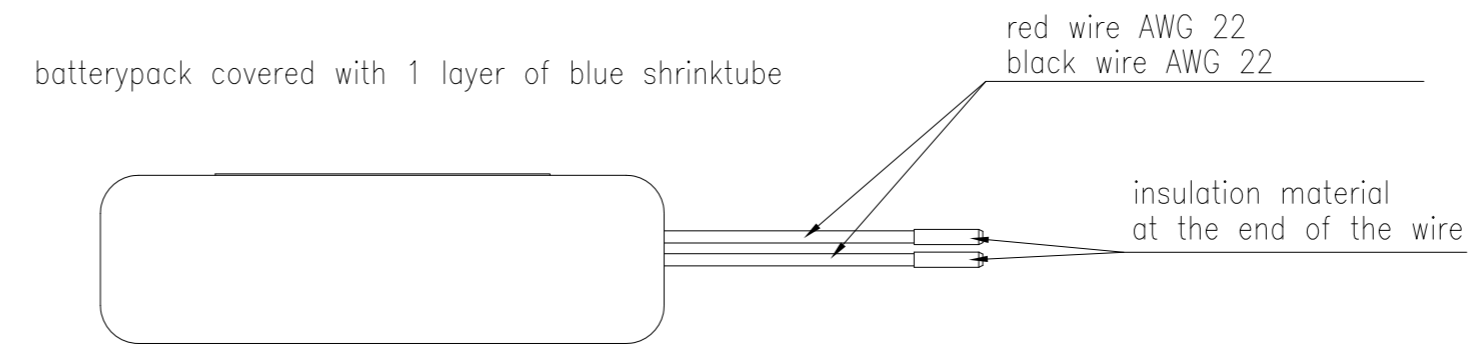
MOSFET : im Pluszweig/
in positive path

Rückstellkriterium/
release condition : Last trennen, Aktiv nach Anladen/
cut load, release after charging up


Nettogewicht/
net weight : 190g

Leiterplattenmaterial/
pcb material : FR4

Standards : CE



Part Number	SAP Description
2447-3032-06	Li-Ion-14.68V-2850mAh-4S1P-PTC-M29

Verwendungsbereich/Application range für Anfrage/for inquiry AN-IS-2013-00424		Zul. Abweichung/ Allowable deviation	Oberfläche/ Surface	Maßstab/Scale (DIN A2): 1:1	Gewicht/Weight
		Allgemeintoleranz DIN ISO 2768-m		Werkstoff/Work material, Modell-Nr.	
		2019	Datum/Date	Name	Zeichnungsname/Drawing name
		Erstellt/ Drawn by	29.01.	MSt	Li-Ion Battery 14.68V 2850mAh with safetyboard
VO	PTC information added	24.10.19	JX	 Zeichnungsnummer/Drawing number Artikelnummer/Part number 2447-3032-XXX	
VO	---	10.10.19	MSt		
Version	Änderung/Change	Datum/Date	Name	Ursprung/Origin Proj. IS-2013-00424	Ersatz für/Replaced by Ersatz durch/Replacement through:

This drawing may not be copied, reproduced or made available to third parties in any way without the written or prior written approval of the manufacturer. The manufacturer is not responsible for any damage or injury caused by the use of the drawing. The manufacturer is not responsible for any damage or injury caused by the use of the drawing. The manufacturer is not responsible for any damage or injury caused by the use of the drawing.