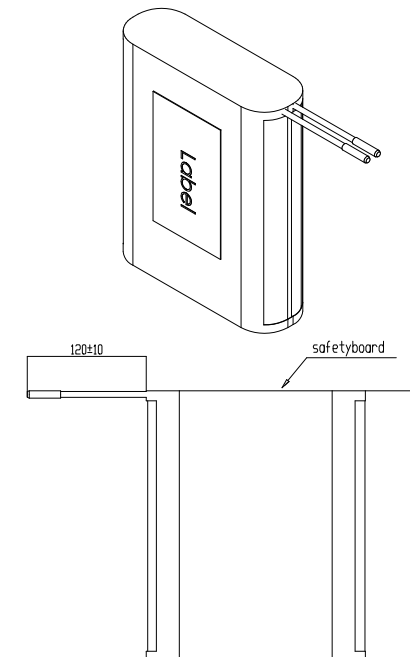
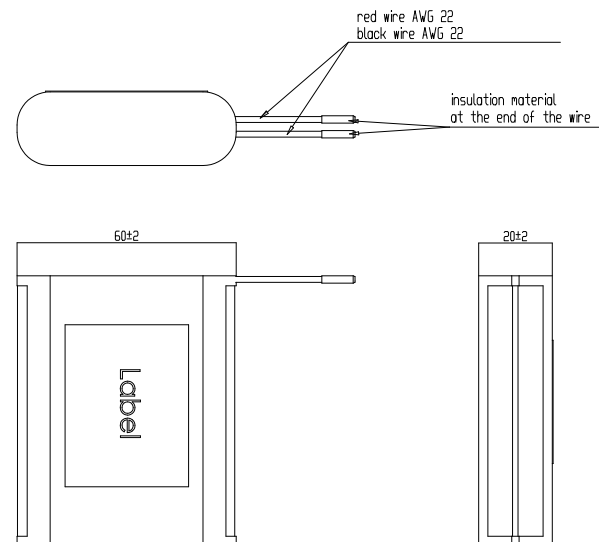


The supplier acknowledges that, with the acceptance of the drawing, he is obligated to manufacture the manufactured part in accordance with the drawing. In particular, the manufacturer is responsible for the correct interpretation of the drawing. The manufacturer is not responsible for any errors in the drawing. The manufacturer is not responsible for any errors in the drawing. The manufacturer is not responsible for any errors in the drawing.

Technische Daten/ technical data	:	Akkupack/ battery pack
Chemie/ chemistry	:	Lithium Ion
Zellenzahl/ no. of cells	:	3 Zellen/ cells ; 3S1P
Zellentyp/ cell type	:	INR18650 LGC MJI
Kapazität/ capacity	:	nom. 3500mAh discharge at 0.2C min. 3350mAh discharge at 0.2C ta20°C; EV(Discharge End Voltage): 2.5V per cell
Innenwiderstand/ impedance	:	< 200mOhm (battery and safetyboard)
Nominalspannung/ nominal voltage	:	10.905V
Standard Ladespannung/ standard charge voltage	:	12.6V±1%
Standard Entladespannung/ standard discharge voltage	:	7.5V
Nominaler Ladestrom/ nominal charge current	:	0.5C
Maximaler Ladestrom/ maximum charge current	:	1C
Ladeendstrom/ charge end current	:	0.01C recommended
Maximaler Entladestrom/ maximum discharge current	:	5000mA (limited by safetyboard)
Anwendungsbereich/ ambient temperature range	:	0°C..+45°C charge -20°C..+60°C discharge -20°C..+30°C storage max. 1 year -20°C..+45°C storage max. 3months
Selbstentladung/ self discharge	:	≤ 5% / month at20°C ≤ 10% / month at30°C ≤ 20% / month at40°C
Standards/	:	UN 3480, Subsection 38.3 ALL cells and battery packs type tested according to UN manual of test and criteria subsection 38.3



batterypack covered with 2 layers of blue shrinktube

Technische Daten/ technical data	:	Sicherheitsschaltung/ safety board (0180-3030)
Überladeschutzspannung/ over charge voltage detection	:	4.35V±25mV per cell
Wiedereinschaltspannung/ over charge release voltage	:	4.15V±50mV per cell
Entladeabschaltspannung/ over discharge detection voltage	:	2.4V±80mV per cell
Wiedereinschaltspannung/ over discharge release voltage	:	3.0V±100mV per cell
Nominaler Lade/Entladestrom/ nominal operating current	:	5A
Entlade Abschaltstrom/ discharge cut off current	:	12A±2A
Kurzschlusschutz/ short circuit protection	:	gegen äußeren Kurzschluss/ against external short circuit
Temperaturschalter/ temperature switch	:	PTC : JK-P730 20V/7.3A at 25°C; 6.2A at 40°C
MOSFET	:	im Plusweig in positive path
Rückstellkriterium/ release condition	:	Last trennen, Aktiv nach Anladen/ cut load, release after charging up
Leiterplattenmaterial/ pcb material	:	FR4
Nettogewicht/ net weight	:	151g
Standards	:	CE

Part Number	SAP Description
2447-3031-20	Li-Ion-10.9V-3500mAh-3S1P-PTC/LG
2447-3031-220	Li-Ion-10.9V-3500mAh-3S1P-PTC/UK

Application range for inquiry		Allowable deviation general tolerances	Tolerance principle:	Model:	Material:	
		DIN ISO 2768-m	ISO 8015	Scale (DIN A2):		Weight:
		2016	Date	1:1		
			Name	Drawing name		
		Drawn by	12.10.	JX	Li-Ion-10.9V-3500mAh-3S1P-PTC/LG with safetyboard	
		Approved by				
V3	part number overview added	15.04.19	DS			
V2	cable length changed	16.01.18	DS			
V1	change request DE-17-0071	14.11.17	DS			
V0	technical data corrected	20.12.16	JX			
Version	Change	Date	Name	Project: IS-216-0203	Replaced by:	Replacement through:
					Drawing number	Sheet
					Part number	1/1
					2447-3031-XXX	