

The supplier acknowledges that, with the acceptance of the drawing, he is liable to manufacture the illustrated part in accordance with the drawing, irrespective of the number of sheets. The drawing is the basis for the production of the part. The manufacturer is responsible for the correct interpretation of the drawing and for the correct execution of the part. The manufacturer is not liable for any damage caused by the use of the part.

- Technische Daten/
technical data : Akkupack/
battery pack
- Chemie/
chemistry : Lithium Ion
- Zellenzahl/
no. of cells : 3 Zellen/ cells INR18650 M26 LG ; 3S1P
- Kapazität/
capacity : nom. 2600mAh discharge at 0.2C
min. 2500mAh discharge at 0.2C

ta:20°C; EV(Discharge End Voltage): 2.75V per cell
- Innenwiderstand/
impedance : < 240m0hm (battery and safetyboard)
- Nominalspannung/
nominal voltage : 10.8V
- Standard Ladespannung/
standard charge voltage : 12.6V±1%
- Standard Entladespannung/
standard discharge voltage : 8.25V
- Nominaler Ladestrom/
nominal charge current : 0.5C
- Maximaler Ladestrom/
maximum charge current : 1C
- Ladeendstrom/
charge end current : 0.01C recommended
- Maximaler Entladestrom/
maximum discharge current : 5A (limited by safety board)
- Anwendungstemperaturbereich/
ambient temperature range : 0°C...+45°C charge
-20°C...+60°C discharge
-20°C...+20°C storage max. 1 year
-20°C...+45°C storage max. 3months
- Selbstentladung/
self discharge : ≤ 5% / month at20°C
≤ 10% / month at30°C
≤ 20% / month at40°C
- Standards/ : UN 3480, Subsection 38.3
All cells and battery packs type tested according
to UN manual of test and criteria subsection 38.3

Technische Daten/
technical data : Sicherheitsschaltung/
safety board

- Überladeschutzspannung/
over charge voltage detection : 4.35V±25mV per cell
- Wiedereinschaltspannung/
over charge release voltage : 4.15V±50mV per cell
- Entladeabschaltspannung/
over discharge detection voltage : 2.4V±80mV per cell
- Wiedereinschaltspannung/
over discharge release voltage : 3V±100mV per cell
- Nominaler Lade/Entladestrom /
nominal operating current : 5A
- Entlade Abschaltstrom/
discharge cut off current : 12A± 2A

Kurzschlusschutz/
short circuit protection : gegen äußeren Kurzschluss/
against external short circuit

Temperaturschalter/
temperature switch : ---

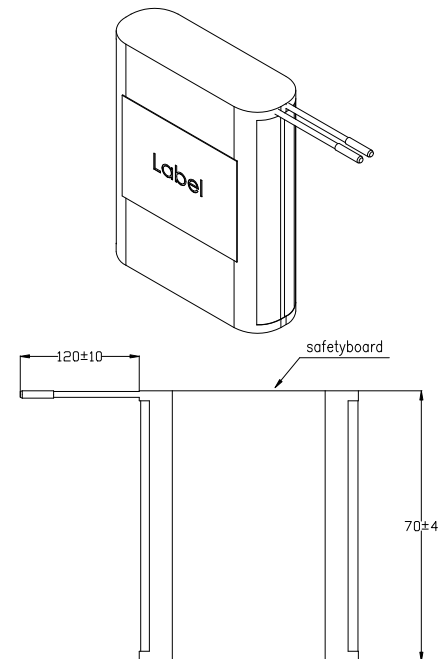
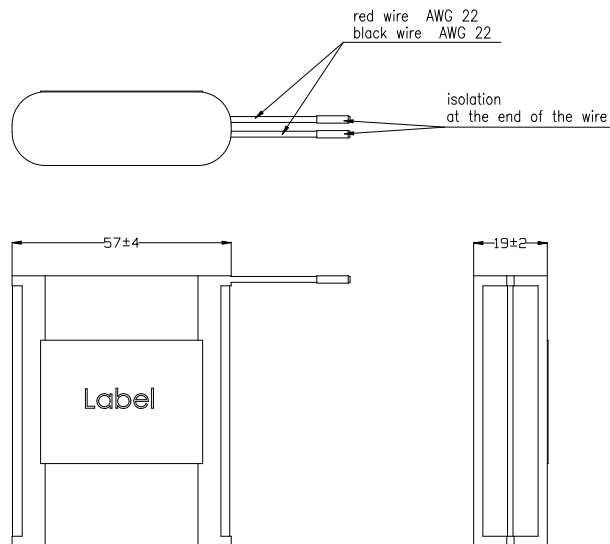
MOSFET : im Pluszweig
in positive path

Rückstellkriterium/
release condition : Last trennen, Aktiv nach Anladen/
cut load, release after charging up

Nettogewicht/
net weight : 145g

Leiterplattenmaterial/
pcb material : FR4

Standards : CE



battery pack covered with 1 layer of blue shrinktube

Part Number	SAP Description
2447-3031-02	Li-Ion-10.8V-2600mAh-3S1P-M26
2447-3031-202	Li-Ion-10.8V-2600mAh-3S1P-M26/UK

Verwendungsbereich/Application range für Anfrage/for inquiry AN-IS-2013-00423		Zul. Abweichung/ Allowable deviation	Oberfläche/ Surface	Maßstab/Scale (DIN A2): 1:1	Gewicht/Weight
		Allgemeintoleranz DIN ISO 2768-m		Werkstoff/Work material, Modell-Nr.	
		2019	Datum/Date	Zeichnungsname/Drawing name	
		Zeichner/ Drawn by	25.01.	MST	Li-Ion Battery 10.8V 2600mAh with safetyboard
V1	part number overview added	15.04.19	DS	Zeichnungsnummer/Drawing number	
V0	----	XX.XX.XX	XX	Artikelnummer/Part number 2447-3031-XXX	
Version		Änderung/Change		Datum/Date	Name
		Ursprung/Origin Proj. IS-2013-00423		Ersatz für/Replaced by	Ersatz durch/Replacement through
					Blatt/ Sheet 1