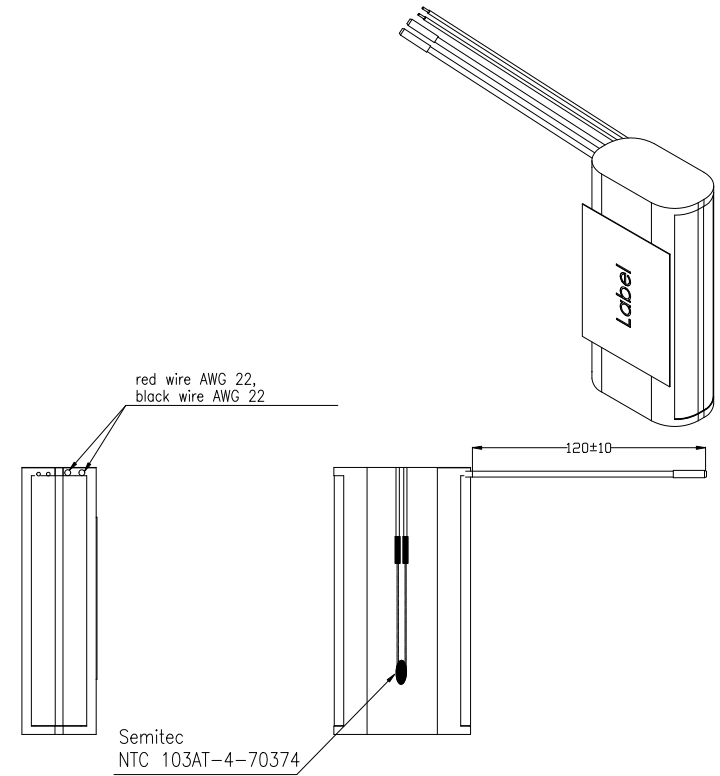
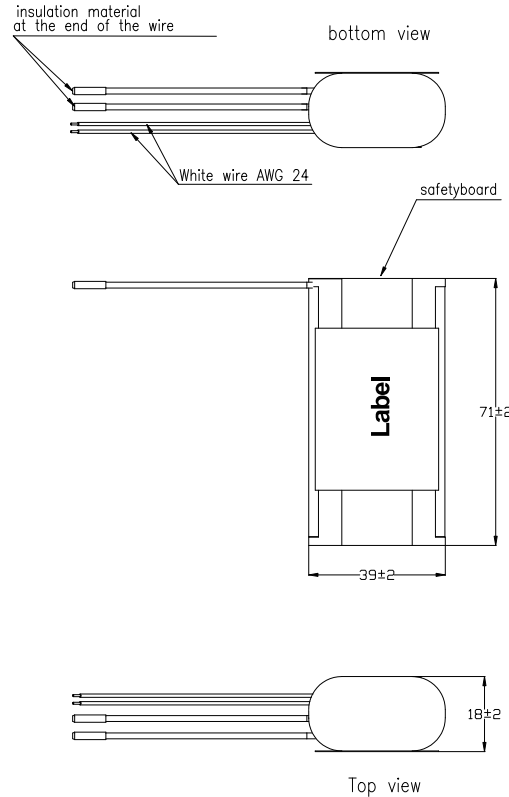


The supplier acknowledges that, with the acceptance of the drawing, he is in a position to manufacture the manufactured part in accordance with the drawing. He is not responsible for the drawing. The drawing is the property of the customer. The customer is responsible for the drawing. The customer is responsible for the drawing. The customer is responsible for the drawing.

- Technische Daten/
technical data : Akkupack/
battery pack
- Chemie/
chemistry : Lithium Ion
- Zellenzahl/
no. of cells : 2 Zellen/ cells; 2S1P
- Zellentyp/
cell type : INR18650 LGC M26
- Kapazität/
capacity : nom. 2600mAh discharge at 0.2C
min. 2500mAh discharge at 0.2C

ta:20°C; EV(Discharge End Voltage): 2.75V per cell
- Innenwiderstand/
impedance : < 150mOhm (battery and safetyboard)
- Nominalspannung/
nominal voltage : 7.2V
- Standard Ladespannung/
standard charge voltage : 8.4V±1%
- Standard Entladespannung/
standard discharge voltage : 5.5V
- Nominaler Ladestrom/
nominal charge current : 0.5C
- Maximaler Ladestrom/
maximum charge current : 1C
- Ladeendstrom/
charge end current : 0.01C recommended
- Maximaler Entladestrom/
maximum discharge current : 5000mA (limited by safetyboard)
- Anwendungstemperaturbereich/
ambient temperature range : 0°C...+45°C charge
-20°C...+60°C discharge
-20°C...+30°C storage max. 1 year
-20°C...+45°C storage max. 3months
- Selbstentladung/
self discharge : ≤ 5% / month at 20°C
≤ 10% / month at 30°C
≤ 20% / month at 40°C
- Standards/
 : UN 3480, Subsection 38.3
All cells and battery packs type tested according to UN manual of test and criteria subsection 38.3

- Technische Daten/
technical data : Sicherheitsschaltung/
safety board (0180-3029)
- Überladeschutzspannung/
over charge voltage detection : 4.3V±25mV per cell
- Wiedereinschaltspannung/
over charge release voltage : 4.1V±50mV per cell
- Entladeabschaltspannung/
over discharge detection voltage : 2.4V±50mV per cell
- Wiedereinschaltspannung/
over discharge release voltage : 3.0V±100mV per cell
- Nominaler Lade/Entladestrom/
nominal operating current : 5A
- Entlade Abschaltstrom/
discharge cut off current : 13A± 3A
- Kurzschlusschutz/
short circuit protection : gegen äußeren Kurzschluss/
against external short circuit
- Temperaturschalter/
temperature switch : PTC : JK-P730 20V/7.3A at 25°C; 6.2A at 40°C
- MOSFET : in Masse
in Gnd
- Rückstellkriterium/
release condition : Last trennen, Aktiv nach Anladen/
cut load, release after charging up
- Leiterplattenmaterial/
pcb material : FR4
- Nettogewicht/
net weight : ca./ approx. 97.3g
- Standards : CE



Battery pack covered with 2 layers of blue shrinktube

Part Number	SAP Description
2447-3030-30	Li-Ion-7.2V-2600mAh-2S1P-NTC-M26/LG
2447-3030-230	Li-Ion-7.2V-2600mAh-2S1P-NTC-M26/UK

Verwendungsbereich/Application range für Anfrage/for inquiry AN-IS-2017-xxxxx		Zul. Abweichung/ Allowable deviation	Oberfläche/ Surface	Maßstab/Scale (DIN A2): 1:1	Gewicht/Weight
		Allgemeintoleranz DIN ISO 2768-m		Werkstoff/Work material, Modell-Nr.	
		2017	Datum/Date 11.14.	Name JX	
		Zeichner/ Drawn by		Zeichnungsname/Drawing name Li-Ion-7.2V-2600mAh-2S1P-NTC-M26/LG with PTC and safetyboard	
				Zeichnungsnummer/Drawing number Artikelnummer/Part number 2447-3030-XXX	
V1	part number overview added	15.04.19	DS		
V0	created this D/S	Nov.14.17	JX		
Version		Änderung/Change		Datum/Date Name	
		Ursprung/Origin Proj. IS-2017-xxxxx		Ersatz für/Replaced by	
				Ersatz durch/Replacement through	
				Blatt/ Sheet 1	