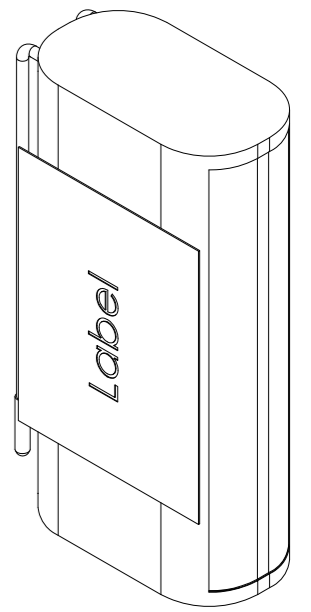
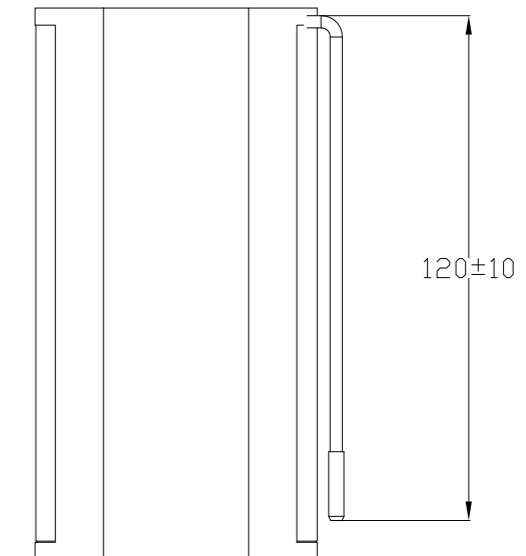
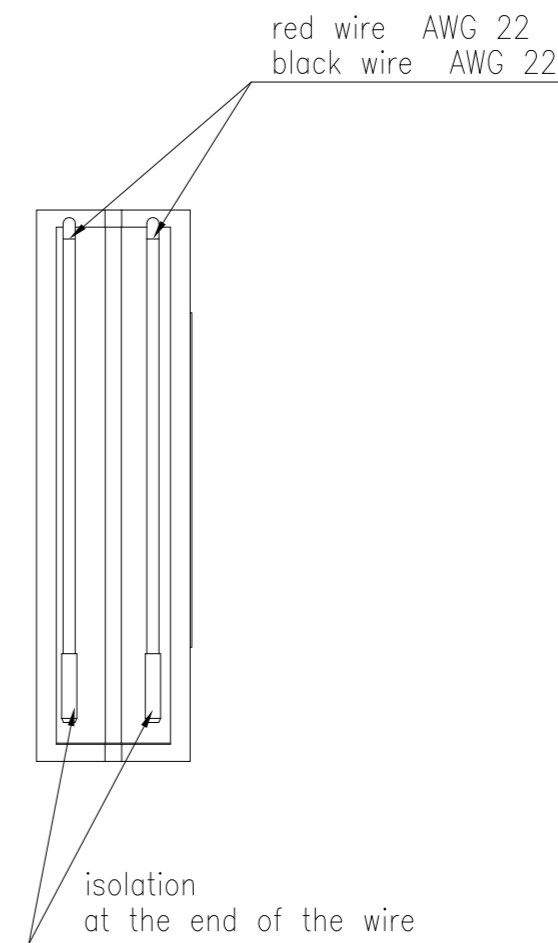
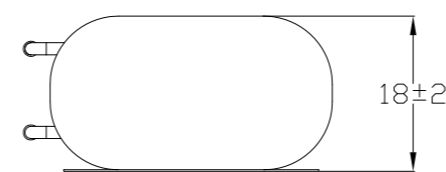
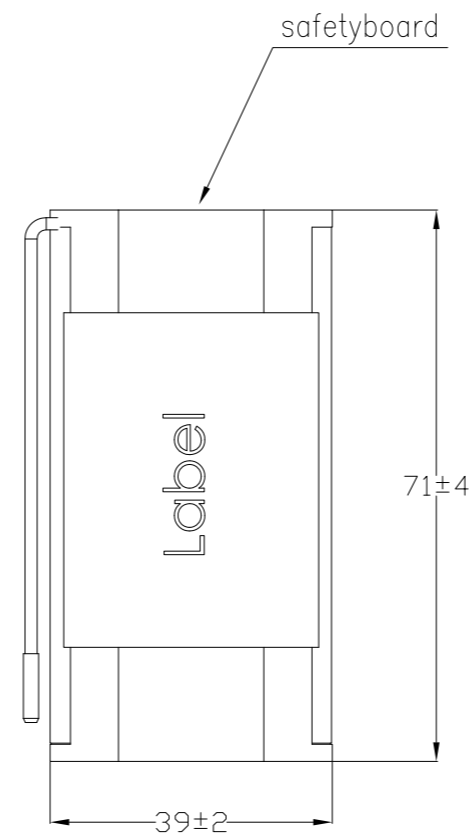
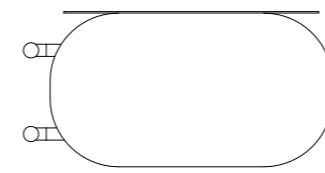


The supplier acknowledges that, with the exception of the specific, he is in a position to manufacture the illustrated part in accordance with the drawings reproduced from and series production. Through the selection of manufacturing processes, no impairments will arise in the material and structure which would subsequently lead to an impairment of the component. Verbal agreements over and above that are not valid. Deviations from this rule must be written and must be signed by the purchaser.

Technische Daten/ technical data	:	Akkupack/ batterypack
Chemie/ chemistry	:	Lithium Ion
Zellenzahl/ no. of cells	:	2 Zellen/ cells INR18650 M29 LG ; 2S1P
Kapazität/ capacity	:	nom. 2850mAh discharge at 0.2C min. 2750mAh discharge at 0.2C  ta:20°C; EV(Discharge End Voltage): 2.75V per cell
Innenwiderstand/ impedance	:	< 140mOhm (battery and safetyboard)
Nominalspannung/ nominal voltage	:	7.34V
Standard Ladespannung/ standard charge voltage	:	8.4V±1%
Standard Entladespannung/ standard discharge voltage	:	5.5V
Nominaler Ladestrom/ nominal charge current	:	0.5C
Maximaler Ladestrom/ maximum charge current	:	1C
Ladeendstrom/ charge end current	:	0.01C recommended
Maximaler Entladestrom/ maximum discharge current	:	5000mA (limited by safetyboard)
Anwendungstemperaturbereich/ ambient temperature range	:	0°C...+45°C charge -20°C...+60°C discharge -20°C...+20°C storage max. 1 year -20°C...+45°C storage max. 3months
Selbstentladung/ self discharge	:	≤ 5% / month at 20°C ≤ 10% / month at 30°C ≤ 20% / month at 40°C
Standards/	:	UN 3480, Subsection 38.3 All cells and batterypacks type tested according to UN manual of test and criteria subsection 38.3

Technische Daten/ technical data	:	Sicherheitsschaltung/ safety board
Überladeschutzspannung/ over charge voltage detection	:	4.3V±25mV per cell
Wiedereinschaltspannung/ over charge release voltage	:	4.1V±50mV per cell
Entladeabschaltspannung/ over discharge detection voltage	:	2.4V±50mV per cell
Wiedereinschaltspannung/ over discharge release voltage	:	3V±100mV per cell
Nominale Lade/Entladestrom/ nominal operating current	:	5A
Entlade Abschaltstrom/ discharge cut off current	:	13±3A
Kurzschlusschutz/ short circuit protection	:	gegen äußeren Kurzschluss/ against external short circuit
Temperaturerhalter/ temperature switch	:	PTC: JK-P730 20V/7.3A at 25°C ; 6.2A at 40°C
MOSFET	:	in Masse in Gnd
Rückstellkriterium/ release condition	:	Last trennen, Aktiv nach Anladen/ cut load, release after charging up
Nettogewicht/ net weight	:	ca./ approx. 100g
Leiterplattenmaterial/ pcb material	:	FR4
Standards	:	CE



Part Number	SAP Description
2447-3030-05	Li-Ion-7.34V-2850mAh-2S1P-PTC-M29

Verwendungsbereich/Application range für Anfrage/for inquiry AN-IS-2013-00422				Zul. Abweichung/ Allowable deviation	Oberfläche/ Surface	Maßstab/Scale (DIN A2): 1:1	Gewicht/Weight
				Allgemeintoleranz DIN ISO 2768-m		Werkstoff/Work material, Modell-Nr.	
				2019 Datum/Date	Name	Zeichnungsname/Drawing name	
				Erstellt/ Drawn by	25.01.	MSf	Li-Ion Battery 7.34V 2850mAh with safetyboard
						Zeichnungsnummer/Drawing number Artikelnummer/Part number	
VO	PTC information added	24.10.19	JX			2447-3030-XXX	
VO	---	10.10.19	MSf	Ursprung/Origin Proj. IS-2013-00422		Ersatz für/Replaced by	
Version	Änderung/Change	Datum/Date	Name	Ursprung/Origin Proj. IS-2013-00422		Ersatz durch/Replacement through:	