

The upper annotations that, with the acceptance of this drawing, are in addition to the specifications in accordance with the drawing in responsible for the component. Verbal agreements over and above that are not valid. Deviations from this rule must be written and must be signed by the purchaser.

Technische Daten/
technical data : Akkupack/
batterypack

Chemie/
chemistry : Lithium Ion

Zellenzahl/
no. of cells : 2 Zellen/ cells INR18650 M26 LG ; 2S1P

Kapazität/
capacity : nom. 2600mAh discharge at 0.2C
min. 2500mAh discharge at 0.2C
ta:20°C; EV(Discharge End Voltage): 2.75V per cell

Innenwiderstand/
impedance : < 140mOhm (battery and safetyboard)

Nominalspannung/
nominal voltage : 7.2V

Standard Ladespannung/
standard charge voltage : 8.4V±1%

Standard Entladespannung/
standard discharge voltage : 5.5V

Nominaler Ladestrom/
nominal charge current : 0.5C

Maximaler Ladestrom/
maximum charge current : 1C

Ladeendstrom/
charge end current : 0.01C recommended

Maximaler Entladestrom/
maximum discharge current : 5000mA (limited by safetyboard)

Anwendungstemperaturbereich/
ambient temperature range : 0°C...+45°C charge
-20°C...+60°C discharge
-20°C...+20°C storage max. 1 year
-20°C...+45°C storage max. 3months

Selbstentladung/
self discharge : ≤ 5% / month at 20°C
≤ 10% / month at 30°C
≤ 20% / month at 40°C

Standards/
 : UN 3480, Subsection 38.3
All cells and batterypacks type tested according to UN manual of test and criteria subsection 38.3

Technische Daten/
technical data : Sicherheitsschaltung/
safety board

Überladeschutzspannung/
over charge voltage detection : 4.3V±25mV per cell

Wiedereinschaltspannung/
over charge release voltage : 4.1V±50mV per cell

Entladeabschaltspannung/
over discharge detection voltage : 2.4V±50mV per cell

Wiedereinschaltspannung/
over discharge release voltage : 3V±100mV per cell

Nominaler Lade/Entladestrom/
nominal operating current : 5A

Entlade Abschaltstrom/
discharge cut off current : 13A± 3A

Kurzschlusschutz/
short circuit protection : gegen äußeren Kurzschluss/
against external short circuit

Temperaturumschalter/
temperature switch : ---

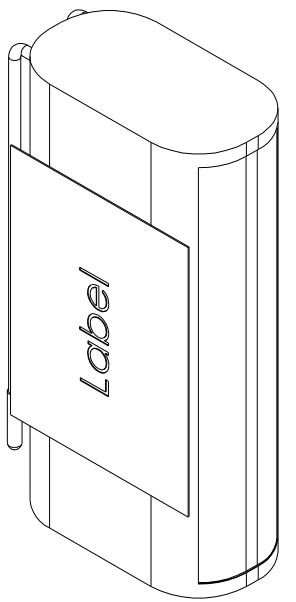
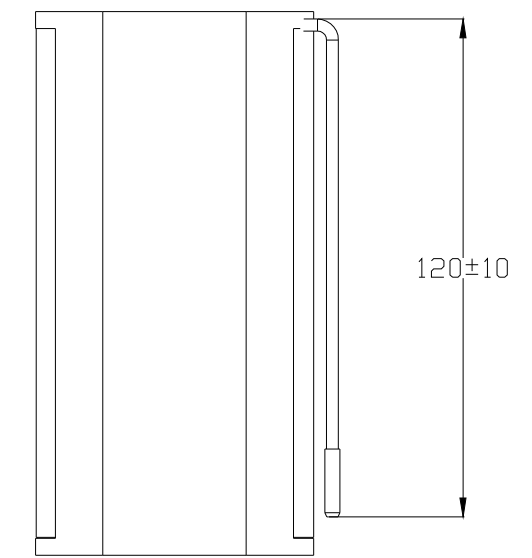
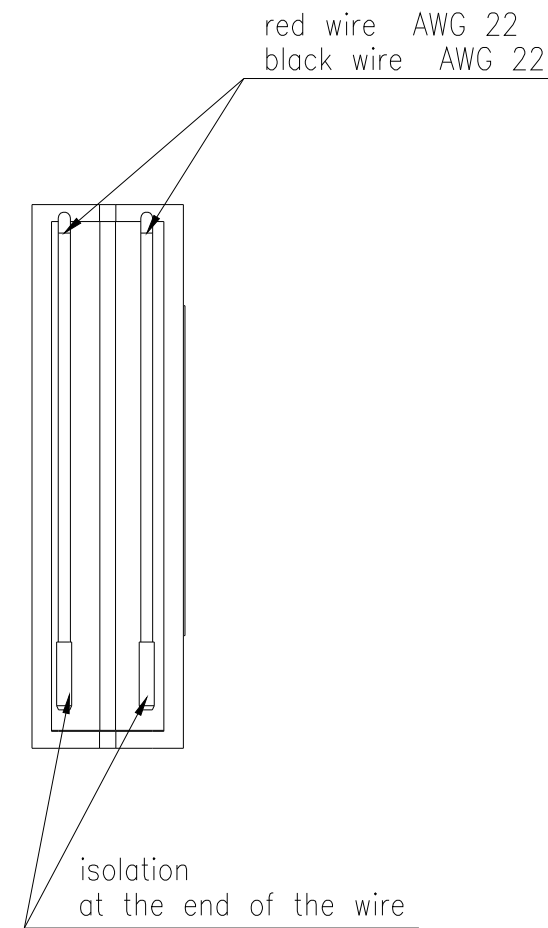
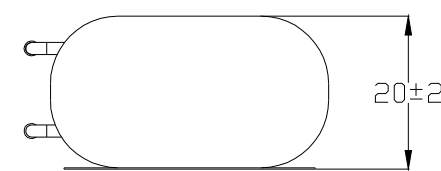
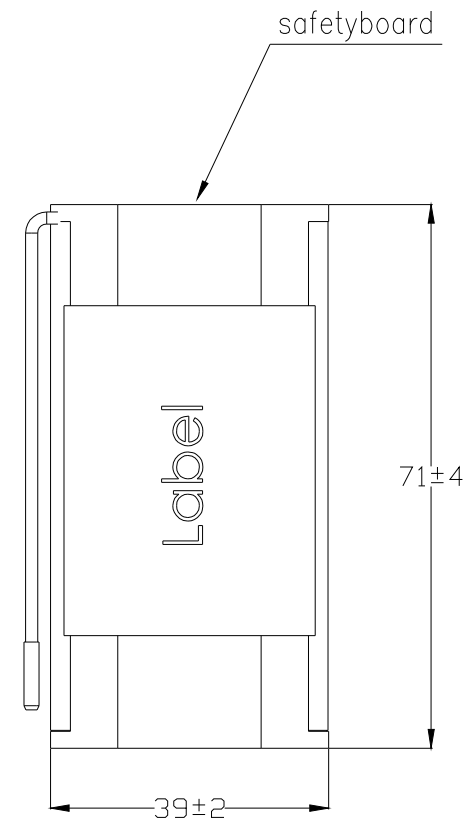
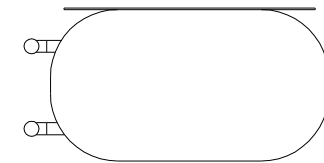
MOSFET : in Masse
in Gnd

Rückstellkriterium/
release condition : Last trennen, Aktiv nach Anladen/
cut load, release after charging up

Nettogewicht/
net weight : ca./ approx. 100g

Leiterplattenmaterial/
pcb material : FR4

Standards : CE



Part Number	SAP Description
2447-3030-03	Li-Ion-7.2V-2600mAh-2S1P-M26
2447-3030-203	Li-Ion-7.2V-2600mAh-2S1P-M26/UK

Verwendungsbereich/Application range für Anfrage/for inquiry AN-IS-2013-00422		Zul. Abweichung/ Allowable deviation	Oberfläche/ Surface	Maßstab/Scale (DIN A2): 1:1	Gewicht/Weight
		Allgemeintoleranz DIN ISO 2768-m		Werkstoff/Work material, Modell-Nr.	
		2019	Datum/Date	Name	
		Erstellt/ Drawn by	25.01.	MSt	
		Zeichnungsname/Drawing name Li-Ion Battery 7.2V 2600mAh with safetyboard			
V2	change request: DE-20-5013	07.02.'20	MSt	Zeichnungsnummer/Drawing number	
V1	part number overview added	15.04.19	DS	Artikelnummer/Part number	
V0	---	XX.XX.XX	XX	2447-3030-X03	
Version	Anderung/Change	Datum/Date	Name	Ursprung/Origin Proj. IS-2013-00422	Ersatz für/Replaced by
				Ersatz durch/Replacement through	Blatt/ Sheet 1

