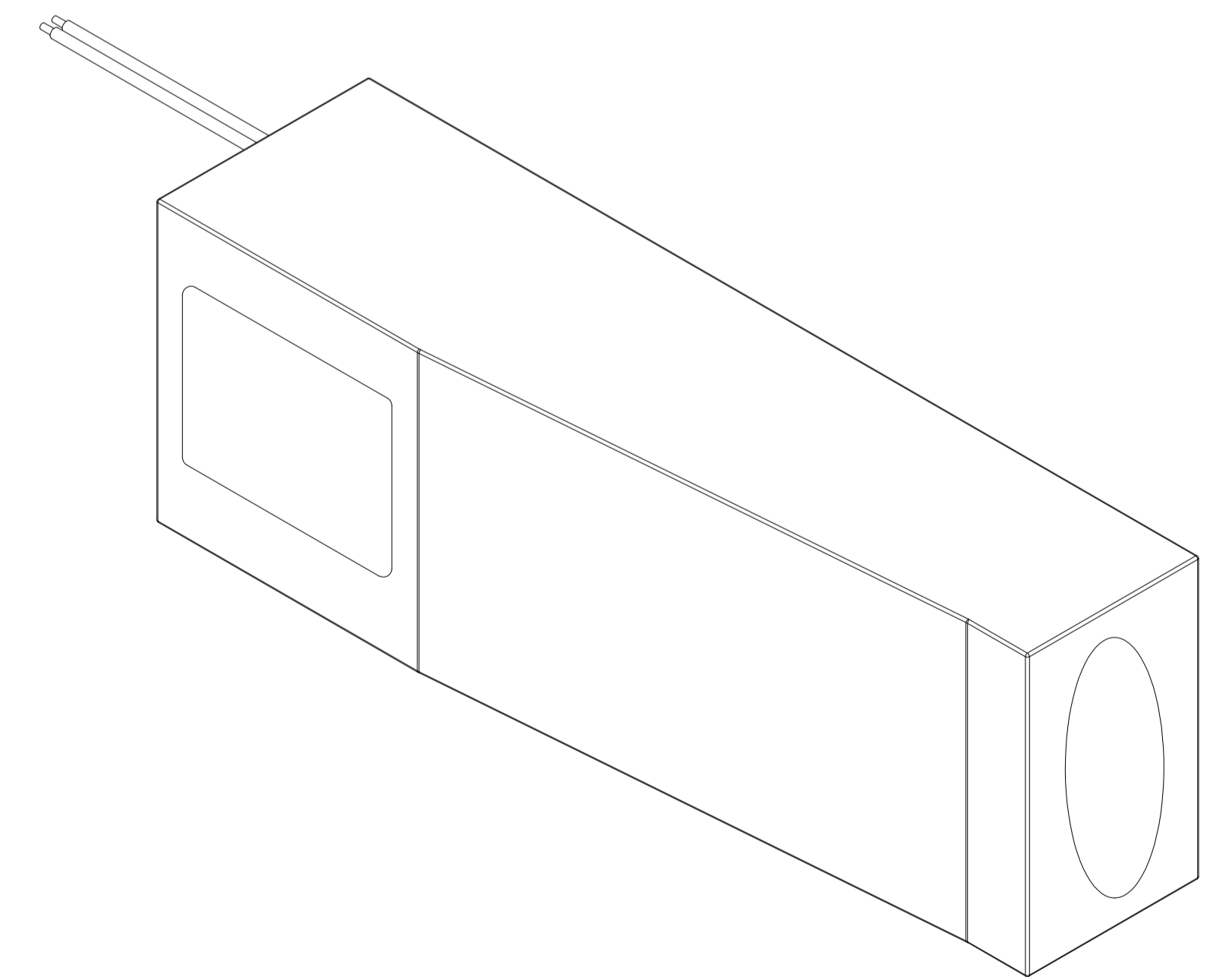
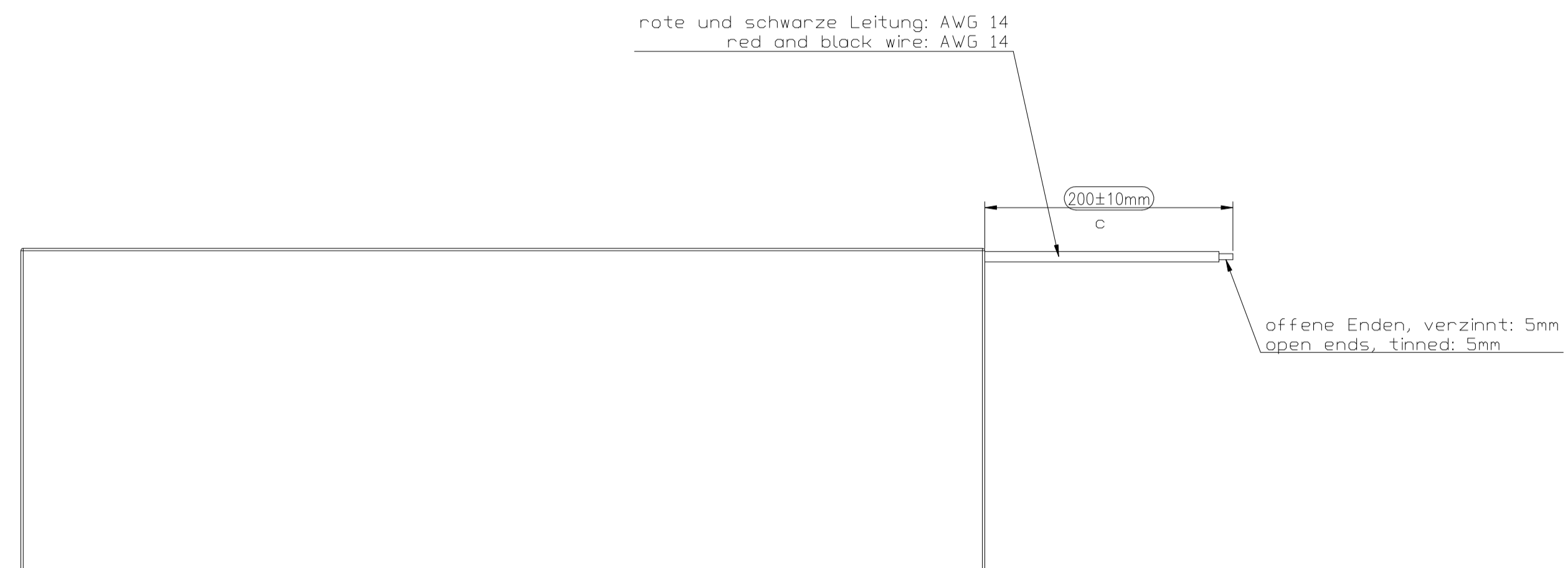
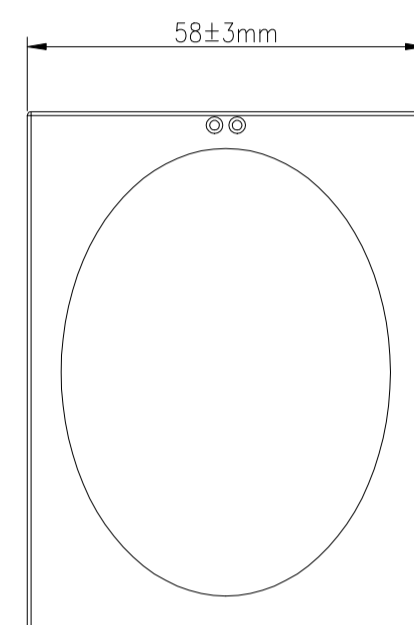
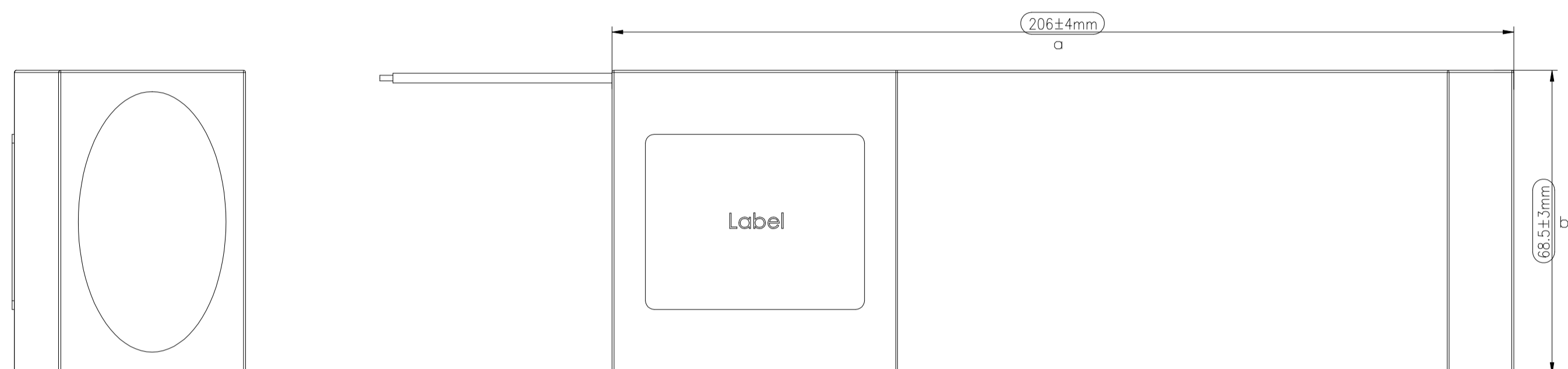
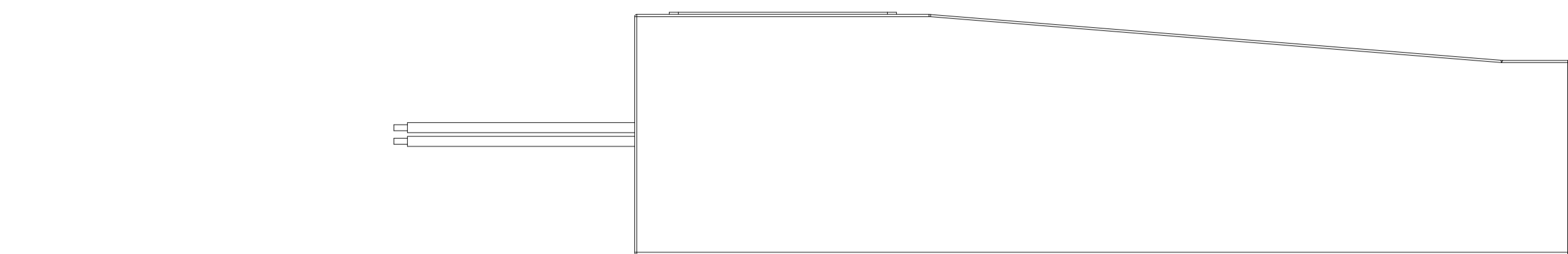


The information contained in this document is the property of the manufacturer and is not to be distributed outside the company. Through the use of this document, the user agrees to indemnify the manufacturer for any and all claims, damages, losses, expenses, costs and attorney's fees that may be incurred by the manufacturer.

The drawing may not be used, reproduced or made available to third parties, in any form, without the written approval of the manufacturer.



Technische Daten/  
technical data : Akkupack/  
Battery pack  
Chemie/  
chemistry : Li-Ion  
Zellentyp/  
cell type : INR18650 MJ1 LG  
Zellenzahl/  
no. of cells : 20 Zellen/ cells 18650 10S2P  
Kapazität/  
capacity : nom. 7000mAh discharge at 0.2C  
min. 6700mAh discharge at 0.2C  
ta: 20°C ; EV (Discharge End Voltage): 2.5V/cell

Nominalspannung/  
nominal voltage : 36.35V  
Standard Ladespannung/  
standard charge voltage : 42V±1%  
Max. Ladestrom/  
max. charge current : 6.7A  
Ladeendstrom/  
charge end current : 0.01C recommended

Anwendungsbereich/  
ambient temperature range : 0°C...+45°C charge  
-20°C...+60°C discharge  
-20°C...+20°C storage max. 1 year

Standards/ : UN 3480, Subsection 38.3  
All cells and battery packs type tested according to UN manual of test and criteria subsection 38.3

Abschaltspannung/  
over charge voltage detection : 4.25V±0.025V/cell  
Wiedereinschaltspannung/  
over charge release voltage : 4.19V±0.025V/cell  
Entladeabschaltspannung/  
over discharge detection voltage : 2.8V±0.05V/cell  
Wiedereinschaltspannung/  
over discharge release voltage : 3.0V±0.1V/cell  
max. Entladestrom/  
max. operating current : 16A  
Entlade Abschaltstrom/  
discharge cut off current : 25A±5A  
Übertemperaturschutz/  
over temperature protection : 70°C  
Sicherung/  
fuse : 40A  
Kurzschlusschutz/  
short circuit protection : gegen äußeren Kurzschluss/  
against external short circuit  
Rückstellkriterium/  
release condition : Last trennen, Aktiv nach Anladen/  
cut load, release after charging up  
Standards : CE

Application range for inquiry	Allowable deviation general tolerances	Tolerance principle	Model	Material	Weight
	DIN ISO 2768-m	ISO 8015	Scale (DIN A1): 1:1	All dimensions in mm	
	2019	Date	Name	Drawing name	
	Drawn by	01.07.	MST	Li-Ion Battery 36.35V 6.7Ah with safetyboard	
	Approved by			Drawing number Part number 2447-0048	
				Sheet 1/1	
Version	Change	Date	Name	Project	IS-0110
				Replaced by:	Replacement through: