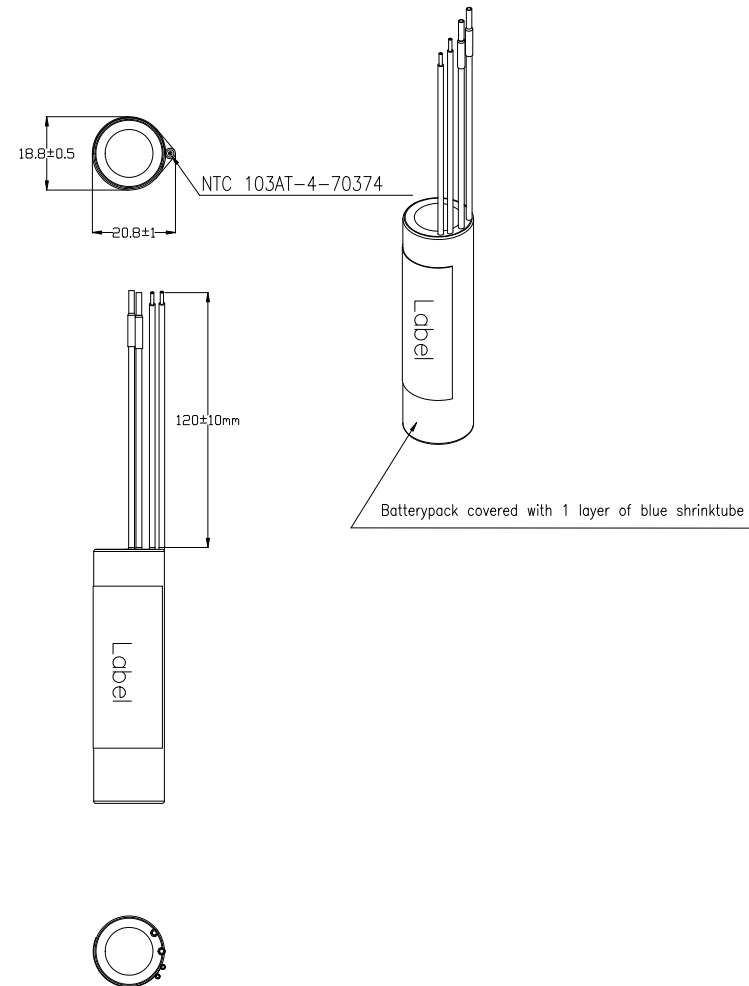
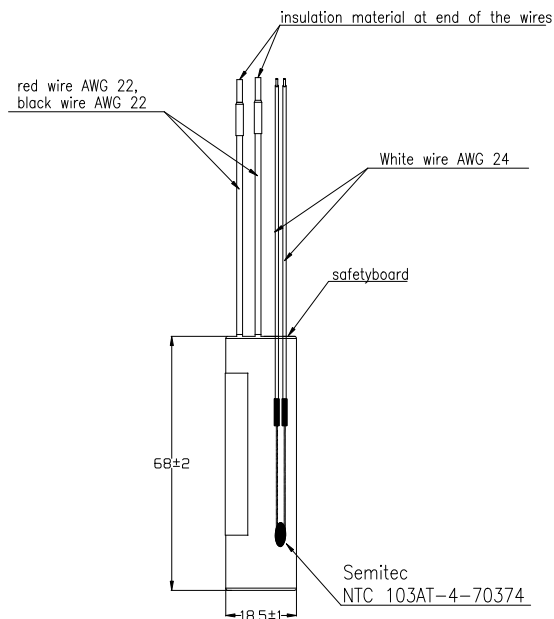


The supplier acknowledges that, with the acceptance of the drawing, he is liable to manufacture the illustrated part in accordance with the drawing. He is not liable for any damage caused by the use of the drawing. He is not liable for any damage caused by the use of the drawing. He is not liable for any damage caused by the use of the drawing.

This drawing may not be used, reproduced or made available to third parties in any way without written or prior written approval.

Technische Daten/ technical data	:	Akku/ battery
Chemie/ chemistry	:	Lithium Ion
Zellenzahl/ no. of cells	:	1 Zelle/ cell; 1S1P
Zellentyp/ cell type	:	INR18650 LGC M26
Kapazität/ capacity	:	nom. 2600mAh discharge at 0.2C min. 2500mAh discharge at 0.2C ta:20°C; EV(Discharge End Voltage): 2.75V per cell
Innenwiderstand/ impedance	:	< 140mOhm (battery and safetyboard)
Nominalspannung/ nominal voltage	:	3.6V
Standard Ladespannung/ standard charge voltage	:	4.2V±1%
Standard Entladespannung/ standard discharge voltage	:	2.75V per cell
Nominaler Ladestrom/ nominal charge current	:	0.5C
Maximaler Ladestrom/ maximum charge current	:	2500mA (limited by safetyboard)
Ladeendstrom/ charge end current	:	0.01C recommended
Maximaler Entladestrom/ maximum discharge current	:	2500mA (limited by safetyboard)
Anwendungstemperaturbereich/ ambient temperature range	:	0°C...+45°C charge -20°C...+60°C discharge -20°C...+30°C storage max. 1 year -20°C...+45°C storage max. 3months
Selbstentladung/ self discharge	:	≤ 5% / month at 20°C ≤ 10% / month at 30°C ≤ 20% / month at 40°C
Standards/	:	UN 3480, Subsection 38.3 All cells and battery packs type tested according to UN manual of test and criteria subsection 38.3
Technische Daten/ technical data	:	Sicherheitsschaltung/ safety board (0180-3201)
Überladeschutzspannung/ over charge voltage detection	:	4.325V±0.05V
Wiedereinschaltspannung/ over charge release voltage	:	4.075V±0.1V
Entladeabschaltspannung/ over discharge detection voltage	:	2.5V±0.1V
Wiedereinschaltspannung/ over discharge release voltage	:	2.9V±0.1V
Nominaler Lade/Entladestrom/ nominal operating current	:	2.5A
Entlade Abschaltstrom/ discharge cut off current	:	5A±1A
Kurzschlusschutz/ short circuit protection	:	gegen äußeren Kurzschluss/ against external short circuit
Temperaturschalter/ temperature switch	:	PTC : SMD1812R400SF; 6V/4A at 25°C; 3.41A at 40°C
MOSFET	:	in Masse in Gnd
Rückstellkriterium/ release condition	:	Last trennen, Aktiv nach Anladen/ cut load, release after charging up
Leiterplattenmaterial/ pcb material	:	FR4
Nettogewicht/ net weight	:	48.6g
Standards	:	CE



Part Number	SAP Description
2347-3008-30	Li-Ion-3.6V-2600mAh-1S1P-NTC-M26/LG
2347-3008-230	Li-Ion-3.6V-2600mAh-1S1P-NTC-M26/UK

Verwendungsbereich/Application range für Anfrage/for inquiry IS-2017-xxxxx		Zul. Abweichung/ Allowable deviation	Oberfläche/ Surface	Maßstab/Scale (DIN A2): 1:1	Gewicht/Weight
		Allgemeintoleranz DIN ISO 2768-m		Werkstoff/Work material, Modell-Nr.	
		2017 Datum/Date	Name	Zeichnungsname/Drawing name	
		Zeichner/ Drawn by	11.14. XJ	Li-Ion-3.6V-2600mAh-1S1P-NTC-M26/LG with PTC and safetyboard	
		ANSMANN		Zeichnungsnummer/Drawing number Artikelnummer/Part number	
V1	part number overview added	15.04.19	DS	2347-3008-XXX	
V0	created this D/S	Nov.14.17	JX	Blatt/ Sheet 1	
Version	Anderung/Change	Datum/Date	Name	Ursprung/Origin Proj. IS-2017-xxxxx	Ersatz für/Replaced by Ersatz durch/Replacement through