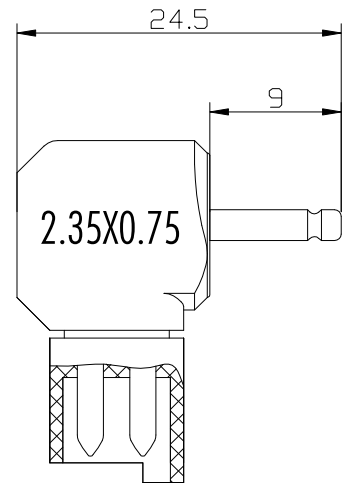
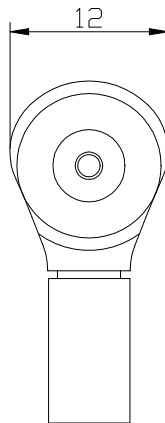
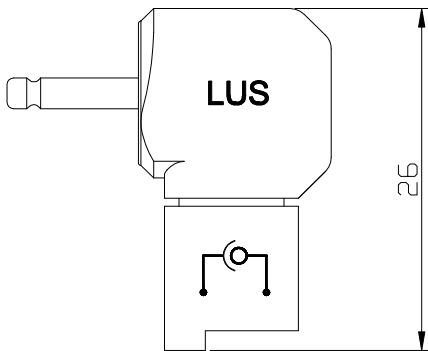
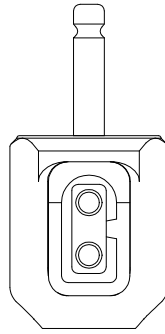



Typ/Type: LUS

Abmessungen/Dimensions:  $\varnothing 2.35\text{mm}$  x  $\varnothing 0.75\text{mm}$  x 9mm



The supplier acknowledges that, with the acceptance of the drawing, he is in a position to manufacture the illustrated part in accordance with the drawing in reproducible form and series production. Through the selected manufacturing processes no impairments will arise in the material and structure, which could subsequently lead to an impairment of the component. Verbal agreements over and above that are not valid. Deviations from this rule must be written and must be signed by the purchaser.

This drawing may not be copied, reproduced or made available to third parties in any way whatsoever without or prior written approval.

Verwendungsbereich/Application range für Anfrage/for inquiry AN3111			Zul. Abweichung/ Allowable deviation	Oberfläche/ Surface	Maßstab/Scale (DIN A4): 1:1	Gewicht/Weight
			general tolerances DIN ISO 2768-m		Werkstoff/Work material, Modell-Nr.	
			2013 Erstellt/ Drawn by	Datum/Date 04.03.	Name SP	
			Zeichnungsname/Drawing name			
			LUS $\varnothing 2.35\text{mm}$ x $\varnothing 0.75\text{mm}$ x 9mm			
						Zeichnungsnummer/Drawing number Artikelnummer/Part number
						0160-3050-26
VO	---	08.03.13	CB	Ursprung/Origin	Ersatz für/Replaced by	Ersatz durch/Replacement through:
Version	Änderung/Change	Datum/Date	Name			